



AI-U Series SOLAR LED STREET LIGHT

PROGRAMMABLE

Smart solar controller built-in, power brightness and lighting time are adjustable via remote controller.

MICROWAVE SENSOR

More area can be covered than PIR sensor, longer distance and wider sensitive angle, more stable than PIR.

EXTERNAL SOLAR PANEL

Solar panel separated from light allows to increase power to meet the solar radiations in different latitude and longitude. Max 200W solar panel is allowed for 50W LED with 6200lm output.

CONNECTION

MC4 male & female plugs directly to 18V solar panel. quick and easy for connection. 2.5mm² power cord for less voltage drop.

COMPACT SYSTEM

Battery and solar controller, sensor are built-inside of light, only need to be connected to 18V system, NO more other operation, easy ,simple and quick installation.



REMOTE
SETTING



MICROWAVE
SENSOR



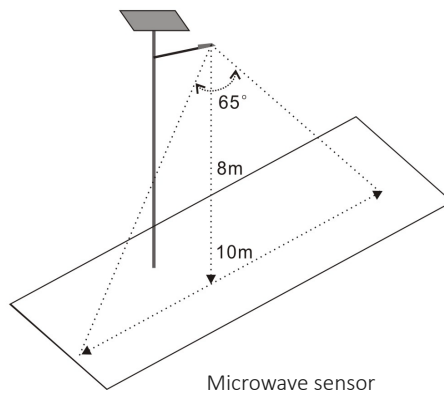
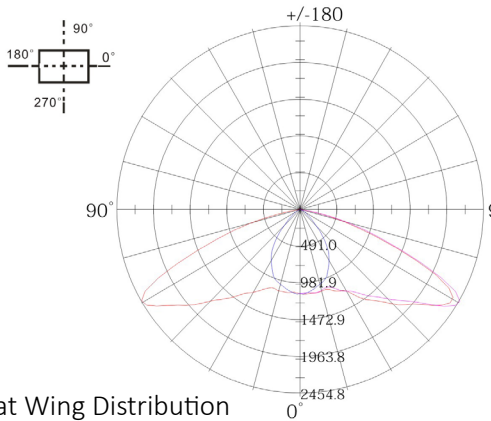
MC4 PLUG IN
CONNECTION



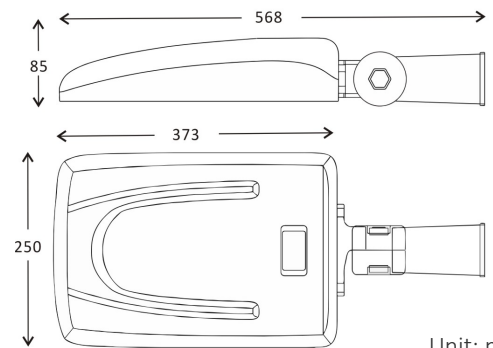
BATTERY-IN
LIGHT HEAD



12HRS/DAY
150LM/W



Dimension:



Unit: mm

Bat Wing Distribution

Microwave sensor

LIGHT HEAD	Model	LED Power	Philips 3030 LED Qty	Efficiency	Li (NiCoMn) O2 Battery 1000 cycles	Default Lighting Setting	Solar Panel (Suggest)	Installation Height (Suggest)
	AIU15W	15W	72Pcs	>1800lm	195WH--11.1V--17.5AH	3 Hrs 100% + 5Hrs 50% + 4Hrs 30%	18V 40W	2-5M
	AIU20W	20W	72Pcs	>2600lm	268WH--11.1V--24.1AH	3 Hrs 100% + 5Hrs 50% + 4Hrs 30%	18V 50W	2-5M
	AIU25W	25W	72Pcs	>3300lm	342WH--11.1V--30.8AH	3 Hrs 100% + 5Hrs 50% + 4Hrs 30%	18V 60W	3-6M
	AIU30W	30W	72Pcs	>4000lm	391WH--11.1V--35.2AH	3 Hrs 100% + 5Hrs 50% + 4Hrs 30%	18V 70W	3-6M
	AIU35W	35W	90Pcs	>4600lm	440WH--11.1V--39.6AH	3 Hrs 100% + 5Hrs 50% + 4Hrs 30%	18V 80W	4-8M
	AIU40W	40W	90Pcs	>5400lm	488WH--11.1V--43.9AH	3 Hrs 100% + 5Hrs 50% + 4Hrs 30%	18V 90W	4-8M
	AIU50W	50W	90Pcs	>6350lm	548WH--11.1V--49.3AH	3 Hrs 100% + 5Hrs 50% + 4Hrs 30%	18V 100W	5-10M
	AIU60W	60W	90Pcs	>7500lm	635WH--11.1V--57.2AH	3 Hrs 100% + 5Hrs 50% + 4Hrs 30%	18V 110W	6-12M



Bug Free



No Mercury



Bright Color



Long Lifetime



Low Wattage



Energy Saving



Eco Friendly